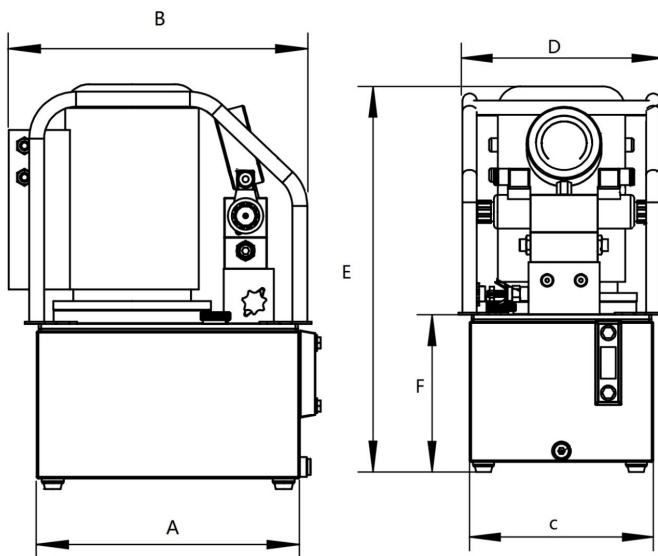


WPE-D SERIES Hydraulic Pump Electric Drive, Double Action Adjustable Pressure from 5000psi to 10000psi Flow rate as required



Features:

1. WPE series pump offers 2 stage pressure, and two kinds of flow output exchanges automatically.
2. High quality solenoid offers higher stability and durability.
3. Non-carbon brush motors supply a steady performance and long working life.
4. Smart cooling system allows long time continuous operation.
5. With easy-economical repair parts, the pump can be used for long time with these recycle parts.



MODEL: WPE-1D-6		MODEL: WPE-1D-11	
ELECTRIC PUMP SINGLE ACTION 366 cu.in/min flow rate @ 0psi		ELECTRIC PUMP SINGLE ACTION 683 cu.in/min fow rate @0psi	
specifications		specifications	
For use cylinder type	double-acting	For use cylinder type	double-acting
Motor	110V/220V/380V 50HZ/60HZ 1.5KW 1500RMP	Motor	110V/220V/380V 50HZ/60HZ 1.5KW 1500RMP
Reservoir Capacity	3.3 US Gallon	Reservoir Capacity	3.3 US Gallon
Reliable Capacity	2.2 US Gallon	Reliable Capacity	2.2 US Gallon
Valve Function	Advance Hold Return	Valve Function	Advance Hold Return
Valve Type	4-way	Valve Type	4-way
Oil delivery @ 0psi	366 cu.in/min	Oil delivery @ 0psi	683 cu.in/min
Oil delivery @ 870psi	67 cu.in/min	Oil delivery @ 870psi	134 cu.in/min
Oil delivery @ 5000psi	67 cu.in/min	Oil delivery @ 5000psi	134 cu.in/min
Oil delivery @10000psi	67 cu.in/min	Oil delivery @10000psi	134 cu.in/min
Oil level sight glass	yes	Oil level sight glass	yes
Reservoir drain plug	yes	Reservoir drain plug	yes
power cord length	25 foot	power cord length	25 foot
hand pendant length	25 foot	hand pendant length	25 foot
Max PSI output	10000psi	Max PSI output	10000psi
exterior pressure adjustment knob	yes	exterior pressure adjustment knob	yes
oil gauge	14500psi	oil gauge	14500psi

WPE-D SERIES DIMENSIONS SHEET (IMPERIAL)

Item No.	A	B	C	D	E	F
	(in.)	(in.)	(in.)	(in.)	(in.)	(in.)
WPE-1D-6	13.2	15.6	9.6	10.4	19	7.1
WPE-1D-11	13.2	15.6	9.6	10.4	20.3	8.3