

WPE-T3 SERIES

Electric Driven Hydraulic Pump For Torque Wrench

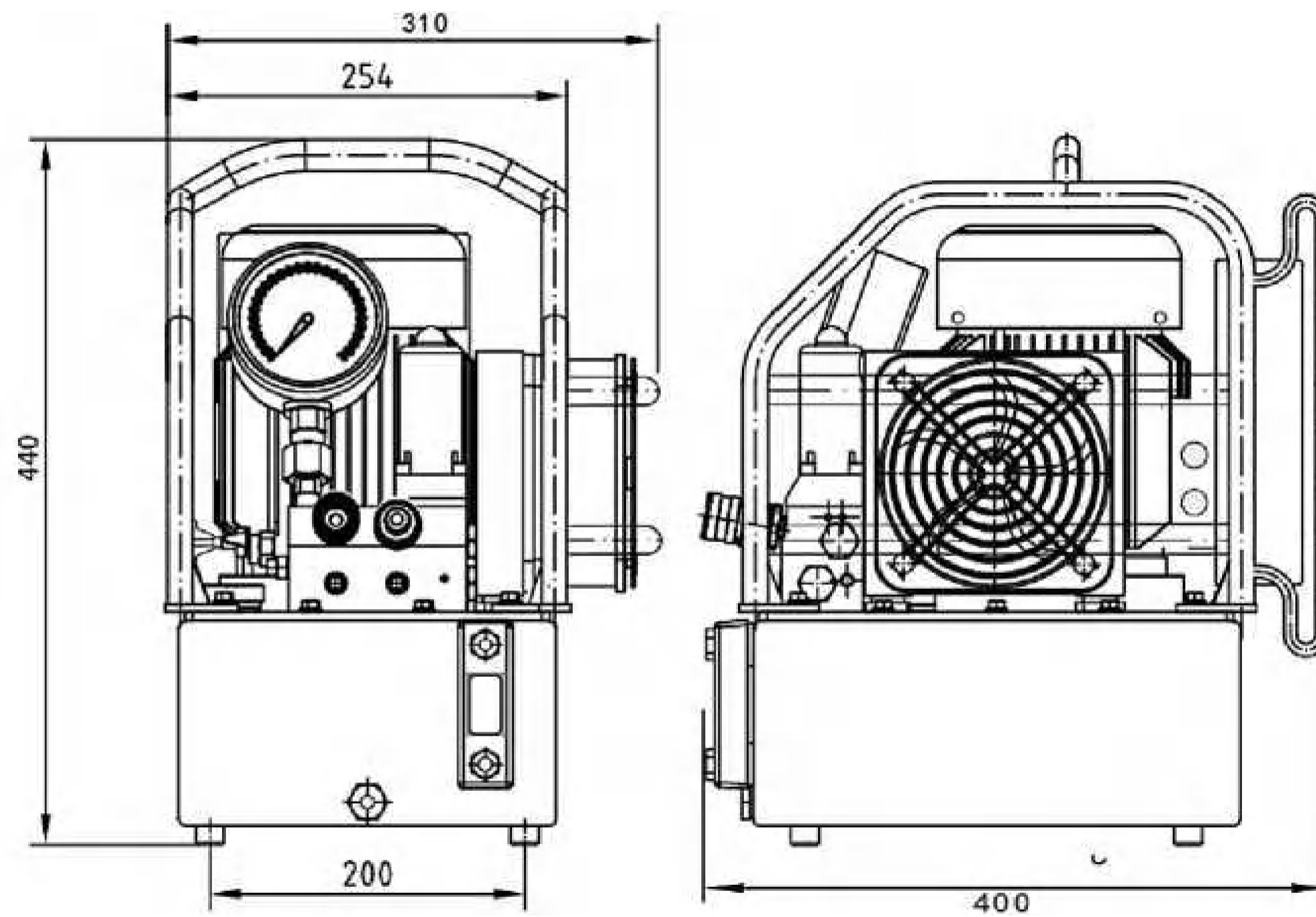


WPE-T3-3SPEED HYDRAULIC WRENCH PUMP



- High efficiency 3 speed flow pressure design, perfect simulation of manual operation, fast speed when light load, low speed when heavy load, the bolt tightening is more precise.
- It can drive 2 hydraulic wrenches simultaneously or 4 if requested.
- Al-Ti alloy pump body, light weight and easy to carry.
- 40-700 bar adjustable output pressure.
- Brushless high power motor, easy maintenance and long life, with starting capacitor, able to start with load, simple operation.
- High performance radiator, the fan starts automatically when oil temperature reaches 35 degree.

Dimension



Technical parameters

Model	Output port	Power	Pressure(MPa)			Flow(L/min)			Oil tank (L)	Dimension (mm)	Weight (KG)
			High	Medium	Low	High	Medium	Low			
WPE-T3-2	4X1/4 NPT	220V 1.1KW	70	32	6	0.8	1.6	8	7.6	394*300*420	27
WPE-T3-4	8X1/4 NPT	220V 1.1KW	70	32	6	0.8	1.6	8	7.6	394*300*420	27.5

